

# *Fiesta*<sup>™</sup> III, SE, IV & IV-12 BY AMIGO

OWNER'S & OPERATING MANUAL  
*Read this manual before operating*



Serial Number: \_\_\_\_\_

Purchase Date: \_\_\_\_\_

# TABLE OF CONTENTS

Safety First	3-4
Location of Controls	4
Adjusting Your Fiesta	5
How to Operate Your Fiesta	6
Riding Your Fiesta	6-7
Safety Warnings	7
Taking Your Fiesta Apart	8
Battery Charging	9
Cleaning Instructions	10
Maintenance	10-11
Trouble Shooting	12
Electromagnetic Interference	13
Wiring Diagrams	14-16
Fiesta Warranty	17

A new industry began in 1968, when Amigo revolutionized mobility for people with walking limitations. Amigo power operated vehicles quickly became a household name for their ease of operation and maneuverability. Ever since our first creation, Amigo has worked hard to bring comfort, freedom and satisfaction to our many thousands of customers.

In 1977, the United States Social Security Act was amended to include the Amigo power operated vehicle as an official medical mobility device, creating new opportunities for accessibility by Medicare clients across the nation. Worldwide, more people than ever are discovering the Amigo lifestyle.

Now, after serving customers like yourself for so many years, I'd like to take this opportunity to thank you for choosing Amigo. Our business will provide you with personalized and innovative electric mobility products and customer satisfaction, today and in the future.

Sincerely,

Amigo Mobility International, Inc.



Welcome to the Amigo family of active and independent people. For thousands of individuals around the world, Amigo provides the opportunity to enjoy life more fully. We are confident that the following instructions and helpful hints will make your Fiesta an extremely useful and reliable "friend." Because we are concerned about your health and safety, please read this manual carefully before operating your Fiesta. When you learn how to use your Fiesta properly, you will discover a world of enjoyment and independence.

Please return your warranty card to receive a free issue of Friendly Wheels. Friendly Wheels is a newsletter about owners participating in life. It also keeps you informed about new products, accessories, helpful hints and service tips!



*Wishing you happiness and good health from all of us at Amigo Company*

Amigo Mobility International, Inc. (AMI) disclaims any responsibility for personal injury or property damage resulting from the improper or unsafe use of its products.

# SAFETY FIRST

For your convenience and understanding, signal words are defined below:



## WARNING

WARNING IS USED TO INDICATE THE PRESENCE OF A HAZARD, WHICH CAN CAUSE SEVERE PERSONAL INJURY, DEATH OR SUBSTANTIAL PROPERTY DAMAGE IF THE WARNING IS IGNORED.



## CAUTION

CAUTION IS USED TO INDICATE THE PRESENCE OF A HAZARD WHICH WILL OR CAN CAUSE MINOR PERSONAL INJURY OR PROPERTY DAMAGE IF THE WARNING IS IGNORED.

## Safety Suggestions

Use the following guidelines for the safe operation and use of your Fiesta. Should you have any questions about the safe operation of your vehicle, please contact your Dealer. If you are in doubt about your ability to operate your Fiesta, consult your personal physician.

## DO

- Read the operating manual before using your Fiesta.
- Always turn the key switch OFF before getting on or off your vehicle.
- Make sure your seat is locked in position before driving and handle is in a comfortable position.
- When transferring off your Fiesta, do make sure the Seat Lock is in the locked position.
- Always remain seated while the vehicle is in operation.
- Keep legs on the platform while driving.
- Always place Accelerator Lever at a 90-degree angle to the handle and apply parking brake (Fiesta SE, IV & IV-12 only) when stopped or transferring.
- Drive to a complete stop before attempting to reverse.
- Always drive at a slow, sensible manner while pedestrians are around.
- Drive slowly while turning and on inclines.
- Always drive straight up and down inclines.
- Always be careful when maneuvering on inclines or ramps. Not all ramps are constructed according to Federal standards. The Federal standard for wheelchair ramps is one-inch (2.5 cm) rise per foot (30 cm).
- Do avoid sudden starts while the handle is turned sharply.
- Always approach obstacles at a low speed if you are to drive over them.
- Be aware of mechanical pinch points, especially when assembling and disassembling your Fiesta.



## CAUTION

TURNING THE KEY OFF WHILE IN MOTION WILL BRING THE FIESTA TO AN ABRUPT STOP.

## DO NOT

- Do not exceed the maximum weight capacity.
- Do not drive over or off obstacles more than 1 inch (2.5 cm) high. This could be unsafe and could damage your Fiesta.
- Do not turn at high speeds, as this could result in tipping.
- Do not reverse down a steep hill or incline.
- Do not park on inclines or declines.
- Do not sit on the unit in a moving vehicle.
- Do not allow anyone to ride with you.
- Do not operate your Fiesta near stairs, steps, curbs or terraces where you might accidentally drop a wheel off the edge of a step.
- Do not operate your Fiesta on streets or other areas with vehicular traffic.
- Do not disengage your motor brake on a slope.
- Do not leave the manual brake release on.
- Do not disengage the motor brake while someone is on the vehicle.
- Do not remove handle from steering column when transporting your Fiesta. Instead, fold the handle down to the seat. Place the handle down so the Speed Adjustment Knob or the controls will not be damaged.
- Do not use the handle to assist in transferring.
- Do not lift rear section of platform by holding the rear wheel.
- Do not expose your Fiesta to spray-on cleaning solutions and excessive moisture such as spraying it with a garden hose, shower or leaving it uncovered in heavy rain.

AMI is not responsible for any damage or injury incurred due to the improper or unsafe use of the Fiesta. AMI specifically disclaims responsibility for any bodily injury or property damage that may occur during any use, which does not comply with applicable federal, state or local laws or ordinances.

## LOCATION OF CONTROLS

All the main controls are on the handle. The switches are all water resistant.

Figure 1 illustrates the main controls for the Fiesta SE, IV & IV-12.

Figure 2 illustrates the main controls for the Fiesta III.

1. Battery Indicator – this provides you with an indication of the capacity of the battery.
2. Horn Button – press the horn symbol to sound the horn.
3. Hand Brake – use this to slow down (Fiesta SE, IV & IV-12 only).
4. Accelerator Lever – this allows you to move your Fiesta; the Right Lever operates Forward movement, the Left Lever operates Backwards movement. This Lever also controls the rate of speed by the amount of pressure applied. The Lever will return by itself when released. This can be programmed for lefthand use.
5. Speed Adjusting Knob – turn this Knob clockwise to increase, or counterclockwise to decrease the speed.
6. Hazard and Directional Indicators – press the symbols to use the Indicators or Hazard Warning Lights.
7. Fold Down Lever – use this Lever to adjust the position of the handle to suit your needs.
8. Headlight Switch – press the symbol to switch the headlight on or off. Indicator lights show you whether the light is on or off.
9. HI/LO Speed Switch – (Fiesta IV-12 only) use this switch to increase or decrease the speed.



Figure 1

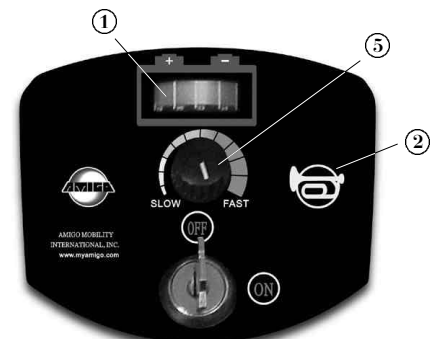


Figure 2

# ADJUSTING YOUR FIESTA

To adjust your Fiesta to a comfortable driving position, you can alter the seat, handle and armrests as follows:

## Adjustable Handle

- To adjust the angle of the handle, press the Handle Adjustment Lever down as shown in Figure 3. Pull the handle toward, or away from you, then release the Lever when the handle is in the correct position.



Figure 3

## Adjustable Seat Height

- To adjust the seat height, remove the seat, as shown in Figure 4, to expose the Seat Post.
- Pull the Locking Pin out of the Seat Post, as shown in Figure 5, and pull the inner post up or down to adjust the height position of the seat.
- Replace the Locking Pin ensuring that it is firmly located.
- Replace the seat and ensure the Rotating Lever is locked.



Figure 4

## Adjustable Seat Position

- To adjust the position of the seat, lift up the Seat Lever, and slide the seat forward or backward. (Fiesta IV-12 only)

## Seat Rotate Lever

- This allows the seat to rotate 360 degrees and lock in any 45-degree position desired. The Seat Rotate Lever is a bar with a vinyl cap on its end, located under the right side of the seat. Pull the Lever up to rotate to any 45-degree position when handle is released.



Figure 5

## Adjustable Armrest Height

- The Armrest height can be adjusted using a 5mm Allen wrench (arms can be raised either 3/4" or 1-1/2"). Remove 2 screws, lift arm to desired height, and reinstall screws.

## Adjustable Armrest Width

- The Armrest width is determined by loosening the Armrest Knobs and tightening them when the arms are at correct width.

## Flip Up Armrest

- By pulling up on the end of either Armrest, the Armrest will flip back for easy transfer in and out of the Fiesta.

# HOW TO OPERATE YOUR FIESTA

To operate your Fiesta, use the following procedures:

- For the Fiesta SE, IV & IV-12 models, the Key Switch is located on the side of the handle as shown in Figure 6. For the Fiesta III model, the Key Switch is located on the top of the handle as shown in Figure 2. Insert and turn the key provided.
- Adjust the Speed Adjusting Knob to minimum. (Turn counterclockwise).  
On Fiesta IV-12, turn HI/LO Switch to low.
- Press the Forward Accelerator Lever or the Reverse Accelerator Lever to move the Fiesta. (This is found just below the Control Panel, and is operated by your thumbs.)
- To stop, just release the Accelerator Lever and the vehicle will stop automatically.
- If you feel you want to slow the vehicle down even faster, you can use the Hand Brake (Fiesta SE, IV & IV-12 only).
- When the Fiesta is used at night, you can turn the lights on by pressing the Light Button.
- Disengaging the Motor will allow you to push the unit, if necessary. At the rear of the vehicle, you will find a Lever as shown in Figure 7. This Lever is marked with an N & D Label. When this Lever is pushed to "N" (Neutral) it will enable you to push the vehicle without the use of your Ignition Key. When pushed into "D" (Drive) the vehicle will be back into gear.



Figure 6



Figure 7

## RIDING YOUR FIESTA

For your first sessions, be sure you are on a level surface. Put the key in its slot, but leave it turned off. Stand behind the seat and reach down to the Seat Lock Lever. It is located on the right side directly under the seat (can be configured on either side of the seat; standard position is on the right side). Grasp the end of the Lever and pull up, releasing the seat. It will now turn easily to meet you. If need be, you can lock the seat in any 45-degree position to make it steady before you sit down. Turn seat forward to driving position. Then, turn the Speed Adjustment Knob counterclockwise, and turn the key to the On position. Press the Right Accelerator Lever to start off in a Forward motion. To stop, simply let go; this will apply your brake.

### Basic Driving

Make sure you are properly seated and that the Speed Adjusting Knob is turned fully counterclockwise.

*Note: Reverse movement of vehicle may not occur when Speed Adjusting Knob is turned fully counterclockwise.*

Insert key into Key Switch and turn clockwise to "On" (90 degrees). On handle, push the Accelerator Lever as described earlier. You will gently accelerate. Release the Lever and you will gently stop. Practice these two basic functions until you get used to them.

Steering the Fiesta is easy and logical. Just be sure to remember to give wide clearance when turning so that the rear wheels clear any obstacle.

Shortcutting a sidewalk corner can cause the back wheel to go off the sidewalk, causing problems if the corner is very rough. Avoid this at all times by steering an exaggerated wide arc around the obstacle. If you must steer in a tight spot, such as entering a doorway or when turning around, stop and then apply power gently. This will make the vehicle turn very sharply. For more on maneuvering through obstacles, see the next section.

Backing up requires attention. Push the Reverse side of Accelerator Lever and steer in the opposite direction of the way you want to go. The further you push the Accelerator Lever, the faster you will go. Reverse speed is 50% slower than Forward speed.

**Driving Through Doorways:** Approach an unfamiliar door slowly. Does it have a knob or push bar? Does it open toward or away? Think in terms of using the power of the Fiesta to do the work for you. Hold the doorknob or bar in one hand and apply the power with the other hand. If it is a self-closing door, you can go through allowing the door to close behind you, if you go quickly enough. If not, just stop when you are clear of the door and push it closed. If the door opens toward you, hold the knob or bar with one hand and gently press on your reverse thumb lever and allow the gentle reverse power to do the work. When the door is open wide enough, push the Forward Accelerator Lever and go ahead quickly, leaving your hand on the door to keep it free of the Fiesta and letting go as you pass the door jamb.

**Driving On Ramps:** With the ADA (Americans with Disabilities Act), buildings require ramps for POV access. Some have a switchback in the middle where good cornering is required. Take wide swings with your front wheels around any tight corners so the rear wheels follow a wide arc to stay clear of the corner. When you have stopped while facing uphill, starting up again simply requires that you apply forward power. Accelerate gently after stopping on an incline. When proceeding up a ramp or curb, lean forward in your seat for maximum stability and safety. Going down any ramp or hill, keep the Speed Adjusting Knob set counterclockwise. This will keep you in a safely controlled descent. If you wish to stop completely, release the Accelerator Lever control slowly.

**Driving Over Grass, Gravel and Grades:** The Fiesta performs admirably in grass, gravel and on hills, but you must NOT exceed the parameters set down in this manual. Please refer to the safety suggestions for use. Safety must come first. If you are unsure about any situation, avoid it. Common sense is your best protection. Always act with caution. Feel free to use your Fiesta on lawns or in park areas. Avoid long unkempt grass; otherwise just follow the safety suggestions.

## Transport

POVs are not designed or tested for use as seats for users in ordinary vehicles. AMI advises against transporting POVs in vehicles unless either the unit is dismantled and placed in the trunk of your car, or the assembled unit is placed in the vehicle and strapped down. Any straps should be secured to non-removable parts of the unit, i.e. Platform.

# SAFETY WARNINGS

- The driving performance of your Fiesta can be influenced by electromagnetic fields, such as emitted by cellular telephones and other emitting devices. We recommend the power on your unit be switched off when using such a device. *(refer to Electromagnetic Interference section for additional information)*
- In some extreme circumstances, your Fiesta's performance could be affected by the electromagnetic field emitted from alarm systems in shops. *(refer to Electromagnetic Interference section for additional information)*
- The Fiesta is fitted with Anti-Tip Devices, but this still means the maximum safe slope of 12 degrees must not be exceeded. In some extreme circumstances, Anti-Tippers may interfere with curb or obstacle climbing.
- The Anti-Tippers prevent the Fiesta from tipping over when the user handles the vehicle.
- The Program Settings in the Controller should not be altered as this may give unsafe driving characteristics.
- The Fiesta IV-12 is fitted with a HI/LO Switch. This Switch is located on the Control Panel at the side of the handle. It is recommended that the Fiesta be used in LO under normal operating conditions. If it is necessary, for safety reasons, to operate the Fiesta in HI, the vehicle will run at full speed. When the switch is on LO, the vehicle will run at half speed.

# TAKING YOUR FIESTA APART

The Fiesta can be taken apart easily for transportation or to change the batteries. To disassemble, use the following procedure:

Remember to turn your Fiesta off first and remove the key.

1. Release Seat Locking Lever shown in Figure 8 and turn the Seat 90°.
2. Lift seat off unit as shown in Figure 9.
3. Pull up Rear Cover as shown in Figure 10 – this is only kept on by Velcro. You can also remove the Seat Post.
4. Disconnect the cable to the Rear Lights, this allows you to remove the Rear Cover completely. (Figure 11)
5. When you have removed the Rear Cover you can disconnect the batteries. (Figure 12)
6. Undo the Strap holding the batteries as shown in Figure 13.
7. Remove the batteries one at a time as they are relatively heavy. (Figure 14)
8. When you have removed the batteries, unlock the Latch at the center of the PMV. (Figure 15)
9. Grip the Seat Post and pull the two sections apart, as shown in Figure 16.
10. Take front basket off and fold down the handle. (Figure 17)
11. You can now store the Fiesta in a car. It is advisable to seek assistance when loading the Fiesta.
12. Repeat the procedure in reverse to assemble the Fiesta.



Figure 8



Figure 9



Figure 10



Figure 11



Figure 12

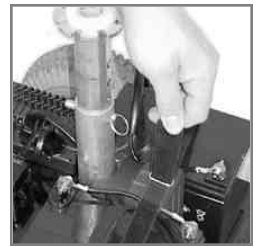


Figure 13



Figure 14



Figure 15



Figure 16



Figure 17



Disassembled



# BATTERY CHARGING

A Battery Charger similar to that shown on the right is supplied with your Fiesta.

To charge battery, turn vehicle off, plug DC charging cord into the battery charge plug on the vehicle, and then plug AC charging cord into AC electrical outlet. When finished, disconnect charger in reverse sequence of connecting procedure. Break first connection as far away from battery as possible. When not using Fiesta for extended periods of time, make sure that the batteries are fully charged. The batteries can be left up to six months if they are fully charged and kept at room temperature (the time varies with different battery brands). If you haven't used the Fiesta for more than 3 days, make sure to plug in charger the night before using the vehicle. This will ensure that you have a full charge. If you use the vehicle during the day, plug in the charger as soon as you get home. The chargers are fully automatic, so you can't overcharge the batteries. The Fiesta will be ready each morning to give you a full day's service. However, if you use your Fiesta sparingly, less frequent charging is acceptable.



When the charger is plugged in, the orange "Charging" LED will illuminate. After charging is complete, the Charging LED will extinguish and the green "Charged" LED will light up. If both LED's are illuminated, the charger doesn't sense the presence of the batteries. Check for poor connections on batteries and you may wish to have batteries load tested or have charger checked out by your Dealer.

It is a popular misconception that batteries should be deeply discharged before recharging. This is not the proper procedure for all batteries. They can actually be damaged if they are discharged too deeply before recharging.

Battery range depends on driver weight, terrain traveled, ambient temperature, type of battery used and user's charging routine. Charge your batteries daily when the Fiesta is used. Make sure that the charger cord is unplugged from the wall outlet before moving your Fiesta.



## CAUTION

FAILURE TO FOLLOW THESE SAFETY INSTRUCTIONS MAY RESULT IN PERSONAL INJURY OR PROPERTY DAMAGE.

- Refer to these instructions frequently.
- Never smoke or allow an open flame in the vicinity of the battery.
- Use charger for charging a Lead Acid Battery only. It is not intended to supply power to an extra-low-voltage electrical system or to charge dry cell batteries.
- Do not operate charger in a closed-in area or restrict ventilation in any way.
- A spark near the battery may cause explosion.

### To reduce risk of spark:

- *Prevent external damage to AC and DC cords.*
- *When connecting charger, connect DC charging cord to the battery charge plug before connecting Charger AC cord to electrical outlet.*
- *When disconnecting charger, always do so in reverse sequence of connecting procedure. Break first connection as far away from battery as possible.*
- Someone should be within range of your voice or close enough to come to your aid, if necessary.
- Be extra cautious not to drop a metal tool onto the battery(ies).



## HAZARD WARNING

IF YOUR BATTERIES ARE DAMAGED AND A LEAK IS APPARENT, CALL YOUR AUTHORIZED DEALER IMMEDIATELY. UNDER NO CIRCUMSTANCES SHOULD YOU TOUCH THE BATTERIES IF THEY ARE LEAKING.

# CLEANING INSTRUCTIONS

## Tires

The Tires should be cleaned with ordinary kitchen-type cleaners and a damp cloth. Don't use solvents on Tires as they cause tire material to break down or become too soft.

## Body

The Body of the Fiesta is constructed of ABS plastic and coated with a durable automotive type finish. Therefore, the Body can be cleaned like a car. Use cool water with mild soap to remove dirt and oils. Do not spray the entire vehicle with water. This will damage the electrical parts. The Body may be waxed with car body wax and buffed by hand with a soft cloth.

## Seat

The Vinyl Seat can be cleaned with a mild soap or detergent and a damp cloth. A vinyl cleaner can also be used. Cloth Seats can be cleaned with a damp cloth or as any upholstery. Care should be taken not to soak Cloth Seats, as the interior foam rubber will hold water.

## Deck Carpet

Carpet can be washed in warm water and hung to dry or spray cleaned with a car wash type wand after Carpet is removed from the Fiesta.



### CAUTION

KEEP CLEANING SOLVENTS AWAY FROM ELECTRICAL WIRES AND CONNECTIONS.

# MAINTENANCE

Minimum maintenance should prevent unnecessary repairs. Check the following:

## Daily

Charge your batteries daily when the Fiesta is used more than 20 minutes. Charge the battery until fully charged to ensure proper battery operation.

## Monthly

Check and clean Battery Terminals and the Wire Connections as needed with a light piece of emery cloth or brush and soda water.



### WARNING

KEEP CLEANING SOLVENTS AWAY FROM ELECTRICAL WIRES AND CONNECTIONS.

- Clean upholstery, plastic and metal with a mild surface cleaner.
- Inspect batteries for any cracks or damage of any kind.
- Check and tighten any exposed Fasteners.
- Make sure all Fasteners are tight on all Battery Connections.
- Check tire pressure on Pneumatic Tires. Uneven tire pressure will cause the overheating of the Controller that will lead to failure of the vehicle.



### WARNING

DO NOT EXCEED PROPER INFLATION LEVEL SPECIFIED ON TIRE OR TIRES MAY BE DAMAGED!

## Six Months

- Check all screws and clips (that are holding wheels) for tightness and wear.
- Check all electrical connections for clean contact.
- Charging connection should be inspected for tight connection.
- Check tires for wear.
- Inspect Seat Posts for wear.

## Yearly

- Have your Authorized Dealer check your Fiesta completely.
- Grease Axle and Wheel Hubs.

**LIGHTING:** The Fiesta is equipped with Headlight, Front Indicators, Rear Indicators and Taillight. Replacement of Taillights is accomplished by removing the Rear Cover and turning it upside down. Twist the gray rubber part of the Light Assembly counterclockwise and remove. Bulbs come straight out (*do not twist bulbs*) of fixture and should be replaced in reverse order.

**BATTERY MAINTENANCE:** Gel Cell or AGM Deep Cycle Batteries are used for operating electric POVs. They are maintenance-free and are transportable on aircraft, buses, trains, etc. as there is no danger of spillage or leading. By following the Charger and Battery procedures, you can expect extended battery life.

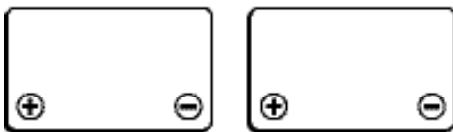
**BATTERY STORAGE:** If you remove the batteries from your Fiesta, put them on a surface that cannot be damaged by acid fumes. Whenever a battery is charged and discharged through a cycle, it breathes. The breathing of the battery emits acid fumes into the cloth strap and may mark surfaces it rests on for long periods of time.

Store batteries indoors in a dry environment, away from any open flames.  
Temperature range is 0°C (32° F) to 40° C (104° F).

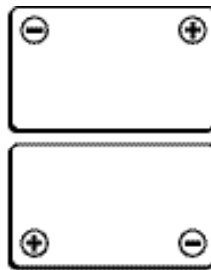


### WARNING

TO AVOID DAMAGE TO BATTERIES DURING STORAGE, **DO NOT** PLACE THEM WITH BOTH SETS OF POSITIVE AND NEGATIVE TERMINALS NEXT TO EACH OTHER.



Correct



Correct



Incorrect

## Checking the General Condition

For maintenance operations, consult your Dealer who has all the necessary information. Once a year have your Dealer inspect your vehicle thoroughly and carry out in depth maintenance. Regular maintenance allows defective or worn parts to be identified and improves the normal operation of the vehicle and extends its working life.

# TROUBLE SHOOTING

If the vehicle will not move, please check to ensure the following:

- The key is in the ignition.
- The batteries are connected.
- The batteries are charged.
- The Brake Release Lever is in the Drive Position.

**Note: Tampering with electrical or mechanical parts will invalidate your warranty.**

You will get years of dependable operation if you follow the suggested maintenance schedule. If you experience a problem, contact your Dealer. Please reference serial number when calling.

*Note: When replacing Fasteners, use only Grade 8 (U.S.) or 12.9 DIN (metric) in all applications. For service and replacement parts, we recommend using Amigo authorized parts.*

Here are some suggestions about solving problems you may have with your Fiesta. There is a Self-Diagnostic Warning Light on the Control Panel. To check the Self Diagnostic Warning Light, turn on the key and count the number of flashes on the Warning Light.

No. of Flashes	Fault Description	Impact on Controller	Notes
<b>1</b>	Battery needs recharging	Drive is available, but at slower speeds	The battery voltage has dropped below 23.3 volts in neutral. Recharge batteries.
<b>2</b>	Battery voltage too low	Drive inhibited	The battery charge has dropped past 16.5 volts and is not sufficient to allow safe driving. Check the battery condition and the connections.
<b>3</b>	Battery voltage too high	Drive inhibited. If the POV is traveling, a soft stop occurs	The battery charge has exceeded 32 volts. Check the battery condition and connections.
<b>4</b>	Current limit time out	Drive inhibited	The Motor Current has reached too high a value. Check the condition of Motor and Wire(s).
<b>5</b>	Park Brake fault	Drive inhibited	Check Brake Release Lever connections. Check the condition of Motor and Wire(s).
<b>6</b>	Speed Control out of Neutral	Drive inhibited	Return Accelerator Lever to Neutral and reset system. Readjust the Accelerator Level to Neutral if necessary.
<b>7</b>	Speed Control fault	Drive inhibited	Check Accelerator Lever wiring for open or short circuits. Check Speed Potentiometer set-up.
<b>8</b>	Motor fault	Drive inhibited	Contact Dealer.
<b>9</b>	Internal (Controller) fault	Drive inhibited	Contact Dealer.

# ELECTROMAGNETIC INTERFERENCE



## WARNING

RADIO WAVE SOURCES MAY AFFECT POWERED MOBILE VEHICLE CONTROL.

## Electromagnetic Interference (EMI) From Radio Wave Sources

Powered vehicles may be susceptible to electromagnetic interference (EMI), which is interfering electromagnetic energy (EM) emitted from sources such as radio stations, TV stations, amateur radio (HAM) transmitters, two-way radios and cellular phones. The interference (from radio wave sources) can cause the powered vehicle to release its brakes, move by itself, or move in unintended directions. It can also permanently damage the powered vehicle's control system. The intensity of the interfering EM energy can be measured in volts per meter (V/m). Each powered vehicle can resist EMI up to a certain intensity. This is called its "Immunity Level." The higher the immunity level, the greater the protection. At this time, current technology is capable of achieving at least a 20 V/m immunity level, which would provide useful protection from the more common sources of radiated EMI. The immunity level of this powered vehicle is not known.

There are a number of sources of relatively intense electromagnetic fields in the everyday environment. Some of these sources are obvious and easy to avoid. Others are not apparent and exposure is unavoidable. However, we believe that by following the warnings listed below, your risk to EMI will be minimized.

## The sources of radiated EMI can be broadly classified into three types:

1. Handheld portable transceivers (transmitters-receivers) with antenna mounted directly on the transmitting unit. Examples include: citizens band (CB) radios, "walkie talkie," security, fire and police transceivers, cellular telephones and other personal communication devices.  
*Note: Some cellular telephones and similar devices transmit signals while they are ON, even when not being used;*
2. Medium-range mobile transceivers, such as those used in police cars, fire trucks, ambulances and taxis. These usually have the antenna mounted on the outside of the vehicle; and
3. Long-range transmitters and transceivers, such as commercial broadcast transmitters (radio and TV broadcast antenna towers) and amateur (HAM) radios.  
*Note: Other types of handheld devices, such as cordless phones, laptop computers, AM/FM radios, TV sets, CD players and cassette players and small appliances such as electric shavers and hair dryers, so far as we know, are not likely to cause EMI problems to your powered vehicle.*

## Powered Vehicle Electromagnetic Interference (EMI)

Because EM energy rapidly becomes more intense as one moves closer to the transmitting antenna (source), the EM fields from handheld radio wave sources (transceivers) are of special concern. It is possible to unintentionally bring high levels of EM energy very close to the powered vehicle's control system while using these devices. This can affect powered vehicle movement and braking. Therefore, the warnings listed below are recommended to prevent possible interference with the control system of the powered vehicle.

## Warnings

Electromagnetic Interference (EMI) from sources such as radio stations, TV stations, amateur radio (HAM) transmitters, two-way radios and cellular phones, can affect electric vehicles. Following the warnings listed below should reduce the chance of unintended brake release or mobile vehicle movement, which could result in serious injury.

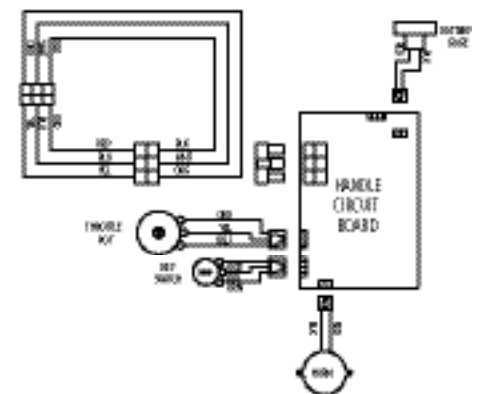
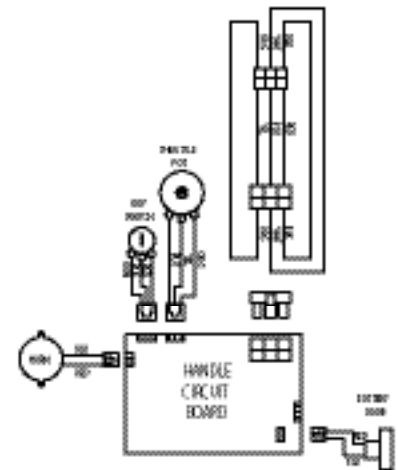
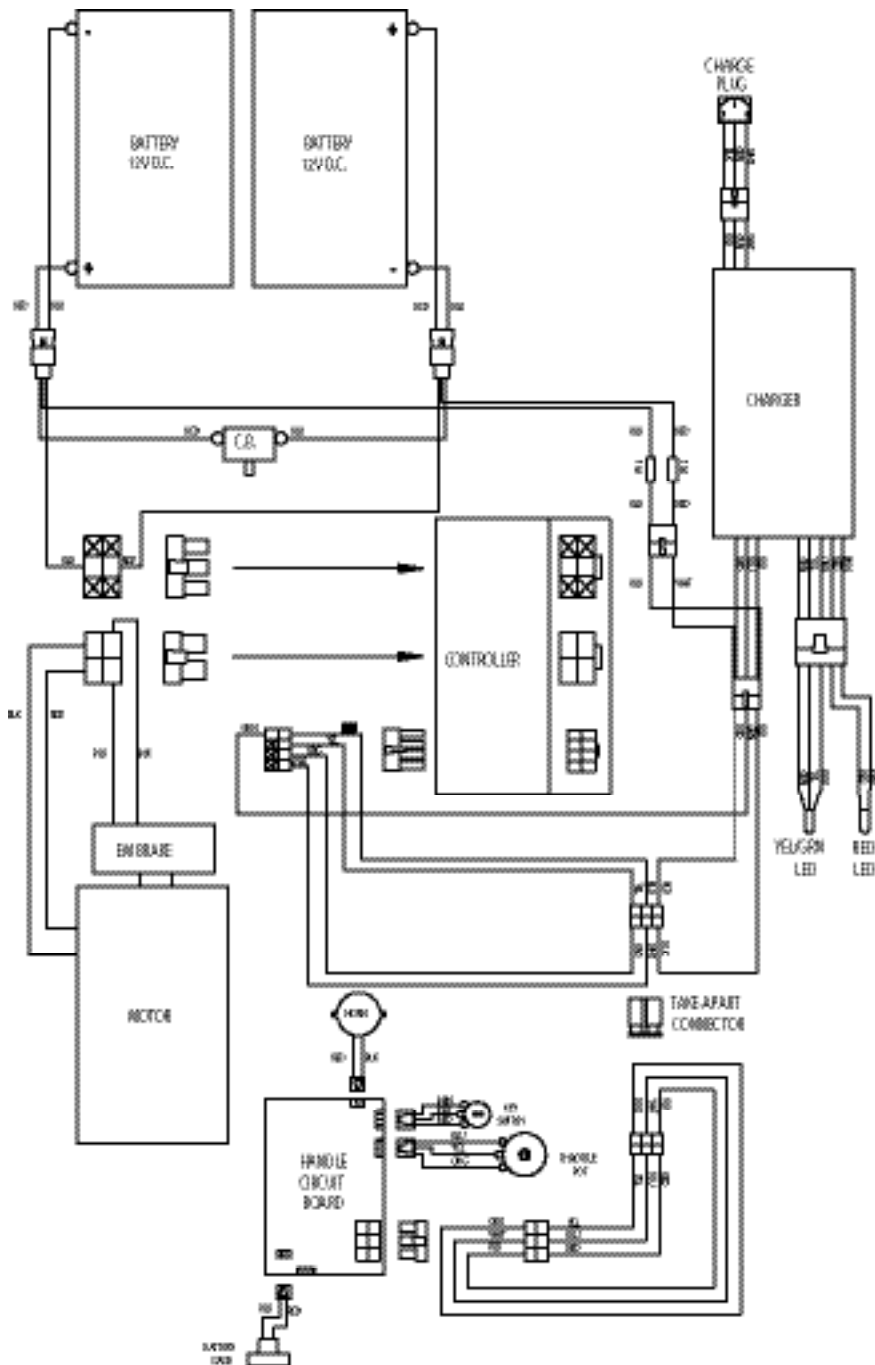
1. DO NOT operate or turn ON handheld personal communication devices, such as Citizens Band (CB) radios and cellular phones while the vehicle is turned on.
2. Be aware of nearby transmitters, such as radio or TV stations and try to avoid coming close to them.
3. If unintended movement or brake release occurs, turn the vehicle off as soon as it is safe.
4. Be aware that adding accessories or components or modifying the vehicle may make it more susceptible to interference from radio wave sources.  
*Note: There is no easy way to evaluate their effect on the overall immunity of the vehicle.*
5. Report all incidents of unintended movement or brake release to the mobile vehicle manufacturer, and note whether there is a source of EMI nearby.

## Important Information

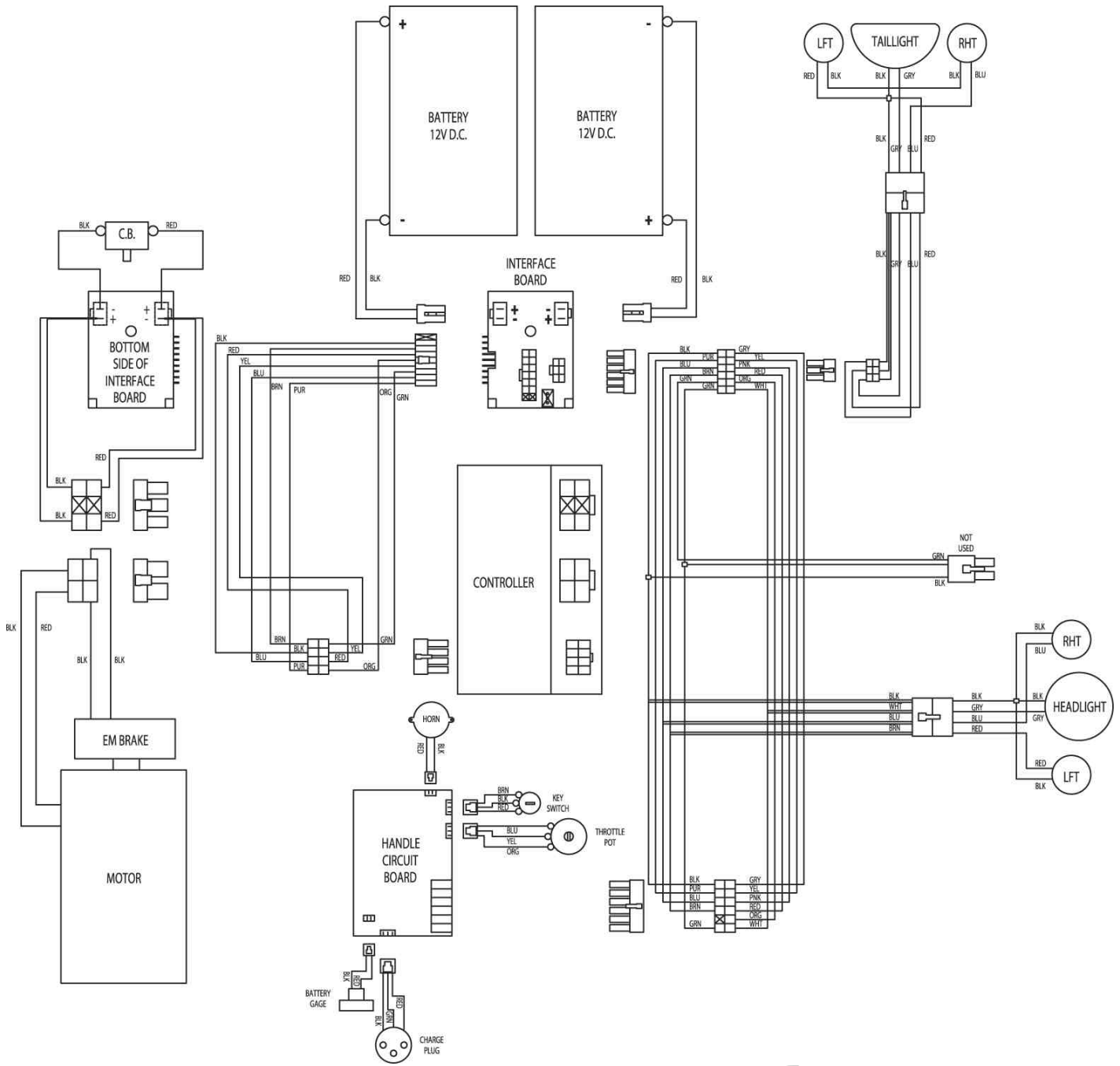
1. 20 volts per meter (V/M) is a generally achievable and useful immunity level against EMI (as of May 1994). The higher the level, the greater the protection.
2. The immunity level of this product is not known.

# WIRING DIAGRAMS

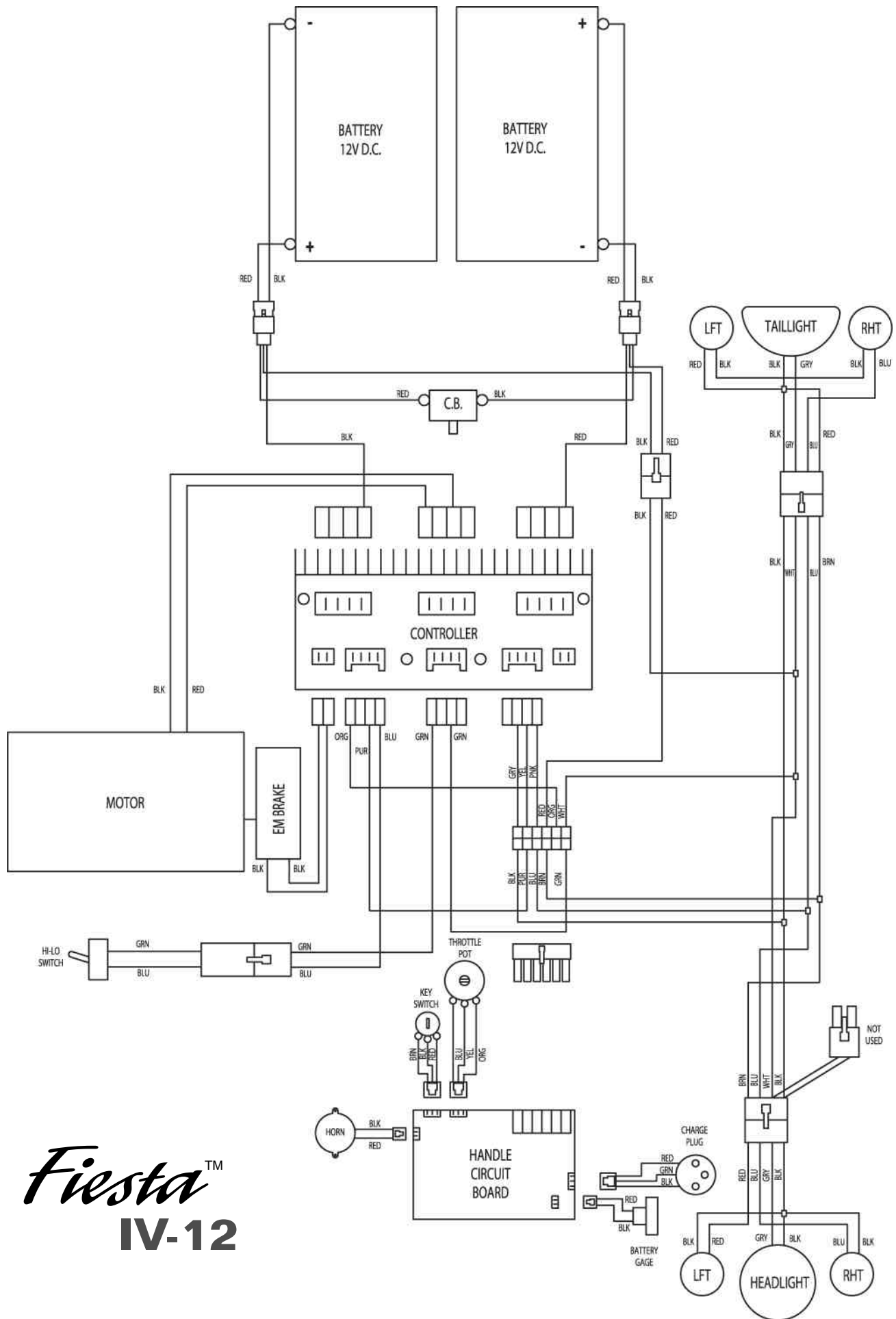
*Fiesta*™ III



ENG. REV. O 8/26/00



# Fiesta™ SE & IV



*Fiesta*<sup>TM</sup>  
IV-12



# FIESTA WARRANTY

Amigo Mobility International, Inc. (AMI) warrants the original completed unit it distributes to the original purchaser.

1. Structural components including Platform, Seat Post, Transaxle, Motor, Controller, Battery Charger and Seat, are warranted against defects in materials and workmanship for one (1) year. Cuts and tears in seats are not covered by warranty.
2. AMI warrants batteries supplied from its factory. AMI factory-supplied batteries carry Amigo brand labels. A six-month battery warranty from the date of purchase applies against the battery manufacturer's defects in workmanship or materials. Damage caused by battery moisture, spillage, or leakage is exclusive of warranty. When removing a battery, always set on cardboard or newspapers to avoid damage.
3. Weight Restrictions: PLATFORM: Use of this product by persons exceeding maximum weight capacity (250 lbs. for Fiesta III, and 300 lbs. for Fiesta SE, IV & IV-12) is not recommended and limits warranty to six (6) months.
4. Items replaced under warranty, are covered by the original warranty. (Warranty replacement does not extend the warranty period.)
5. AMI is obligated to repair or replace products or parts returned by the purchaser, and found to be defective under warranty at its headquarters in Bridgeport, Michigan.
6. For unit and parts, this warranty does not cover accidental damage, misuse, normal wear and tear, such as LED lights, electrical and mechanical switches, wires, belts, chains and resistors, or use of products for other than personal purposes. Damage during shipment is not covered by the warranty.
7. If inspection determines that a returned part or unit is fully functional, it will be returned at the expense of the owner. Opening sealed components will void the warranty.
8. Accessories and parts that are not a part of the original completed unit, or rebuilt units, will have a one (1) year warranty against defects in materials and workmanship.

This warranty begins when the unit is sold to the original owner. If warranty information, such as owner's name, serial number or date of purchase is not available, then AMI will use the production date of the unit as the effective warranty date.

This warranty supersedes and is in lieu of all other warranties, expressed or implied, and no person, Agent or Dealer is authorized to give any warranties on behalf of AMI, nor to assume for AMI any other liability concerning any of its products unless made in writing and signed by an official of AMI. Any unauthorized repair or modification will void this warranty and release AMI from any liability.

This warranty gives you specific rights, with the possibility of other rights, which vary depending upon your locality.



**AMIGO MOBILITY INTERNATIONAL, INC.**

6693 Dixie Highway, Bridgeport, MI 48722-9725  
Phone (800) 248-9131 • Fax (800) 334-7274 • [www.myamigo.com](http://www.myamigo.com)

© 2003 Amigo Mobility International, Inc. Amigo® is a registered trademark of Amigo Mobility International, Inc.